

KENWOOD VALVE CONTROLS (INDIA) PRIVATE LIMITED

004 Series Limit Switch Box With Stainless Steel Enclosure For Quarter Turn Valves/Actuators

Product Information

Main Features:

- A. Open/Close visual indication with polycarbonate dome.
- B. Stainless steel body & Cover.
- C. 1/2" NPT; M20x1.5; PG13.5; 3/4" ET Conduit entries.
- D. Namur shaft for direct mounting.
- E. Tool-free spring loaded quick cam adjustment.
- F. Prewired terminal strip.
- G. Provision for optional terminal strip for Solenoid valve wiring.
- H. Mounting kit/bracket is a part of supply as standard.
- J. PCB for compactness.

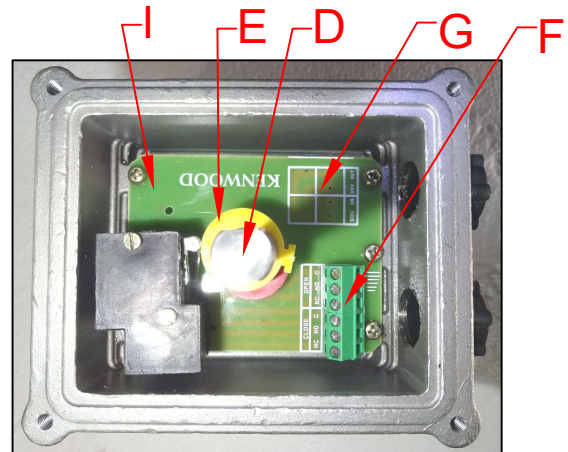
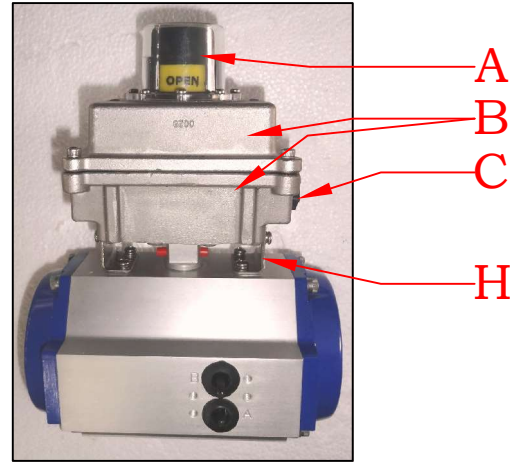
CERTIFICATIONS:

- >> Dust and watertight Protection IP-67 as per IEC 60529
- >> CE certified
- >> SIL-3 Certified, Usable upto SIL level-3

Model/part coding:

Position---- 12345678

1	Unit	004= Series
2	Shaft type	A= Namur shaft-standard B= Non-Namur shaft(custom built) C= Namur shaft-Long spindle
3	No of cable entry & connections	A= 2 x 1/2" NPT B= 2 x PG13.5 C= 2 x M20x1.5 E= 2 x 3/4" ET F= 2 x 9pin connector(to suit 11 to 18mm Cable OD) G= 1 x 9pin connector(to suit 11 to 18mm cable OD)
4	Switch type	01= Honeywell V15T10EZ200A05 SPDT 24VDC 6A/ 110VDC 0.5A/ 250VAC 10A mechanical* 02= P&F NBB2-V3-E2 Proximity 3 wire PNP NO 10-30VDC* 05= P&F NBB3-V3-Z4 Proximity 2 wire NO 5-60 VDC* 06= P&F NBB3-V3-Z5 Proximity 2 wire NC 5-60 VDC* 07= P&F NBN4-12GM40-Z0 Proximity 2 wire NO 6-60 VDC(Preferred model for 24VDC-2wire)** 12= P&F NBN4-12GM50-E2 Proximity 3 wire PNP NO 10-30 VDC(Preferred model for 24VDC-3wire** 13= P&F NBN4-12GM50-E0 Proximity 3 wire NPN NO 10-30 VDC** 14= P&F NJ4-12GM50-WS Proximity 2 wire NO 20-253 VAC** 16= P&F NJ4-12GM-N Proximity 2 wire EEx ia certified NAMUR** 18= P&F NJ2-V3-N Proximity 2 wire EEx ia certified NAMUR* 20= P&F SJ3.5-N Proximity 2 wire EEx ia certified** 22= P&F NJ5-18GM-N Proximity 2 wire EEx ia certified NAMUR** 24= P&F NBB4-F1-US Proximity 2 wire NO-- 20-250 VAC/VDC* 25= IFM make IF-5719 Proximity 2 wire NO 10-30 VDC** 27= Jai Balaji microswitches model JMS-IRS 250VAC 10A mechanical* 28= P&F NBB2-12GM40-Z0 Proximity 2 wire NO 5-60 VDC** 29= P&F NBB5-18GM40-Z0 Proximity 2 wire NO 5-60 VDC** 30= Rochwell-872C-D3NE12-A2 Proximity 2 wire NO 10-30 VDC** 31= Omron-E2E-X3D1-N-2M Proximity 2 wire NO 10-30 VDC** 36= P&F NBB2-V3-US proximity 2 wire 10-140 VDC* 53= Honeywell V15S05CZ100A0501 SPDT 24VDC 0.2A/ 250VAC 5A Mechanical* *Max 4 Switches/Sensors possible **Max 2 Switches/Sensors possible
5	Switch Qty	1= 1No 2= 2No 3= 4No
6	Mounting kit	0= Without any kit 1= SS Standard-NAMUR(for 80x30 & 130x30) 2= Custom built
7	Optional terminal strip for SV connection	1= Not required 2= Required(Not possible when switch Qty is 4no's)
8	Cable Entry Fittings	Nil= Both cable entries are fitted with plastic dust caps CP1= One fitted with Metal blind plug & another one fitted with plastic dust cap CP2= Both cable entries are fitted with Metal blind plug CG1= One fitted with Brass Nickel plated cable gland & another one fitted with plastic dust cap CG2= Both cable entries are fitted with Brass Nickel plated cable gland CG3= One fitted with Brass Nickel plated cable gland & another one fitted with metallic dust cap CGPS1= One fitted with SS cable gland & another one fitted with SS Plug CGHS1= One fitted with SS cable gland with PVC hood & another one fitted with plastic dust cap CGHS2= Both fitted with SS cable gland with PVC hood PACG1= One fitted with Polyamide cable gland & another one fitted with plastic dust cap PACG2= Both cable entries are fitted with Polyamide cable gland



Example(Item coding/Ordering code)

004AA182111----Rotary limit switch box with NAMUR Shaft,2no 1/2"NPT(F) cable entry, 2no P&F NJ2-V2-N sensors, with std mounting kit, without optional SV terminals, with SS enclosure, and both cable entries fitted with plastic dust caps.

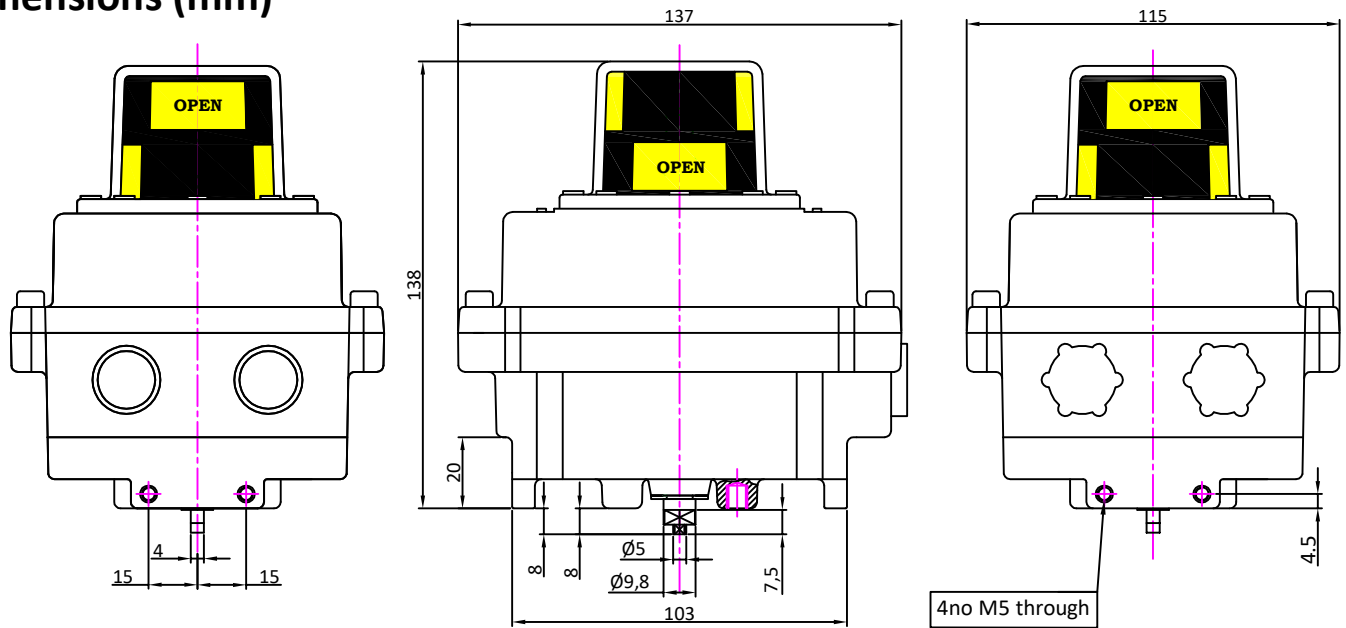
Ref No:004/2022/11

Rev No : 00

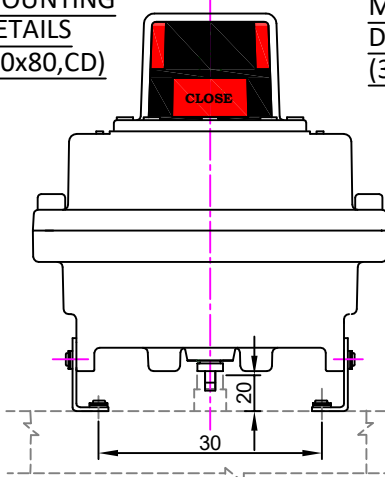
Page no : 01 of 02

KENWOOD VALVE CONTROLS (INDIA) PRIVATE LIMITED

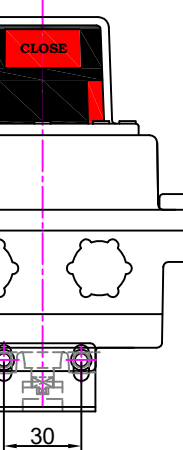
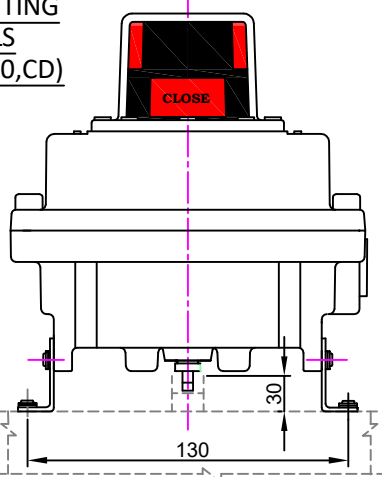
Dimensions (mm)



BRACKET MOUNTING DETAILS (30x80,CD)



BRACKET MOUNTING DETAILS (30x130,CD)



Product design and specification may change without Notice.

Drawing is not to scale

KENWOOD VALVE CONTROLS (INDIA) PRIVATE LIMITED

An ISO 9001 Certified Company
 C-217, MT Sagar Industrial Estate, Gokul Road, Hubli-580030(INDIA).
 Telefax: +91-836-2232118/2333118
 Mob: +91-9845539408
 E-mail: preorders@kenwoodvalvecontrols.com
 Website: www.kenwoodvalvecontrols.com

Ref No: 004/2022/11

Rev No : 00

Page no : 02 of 02